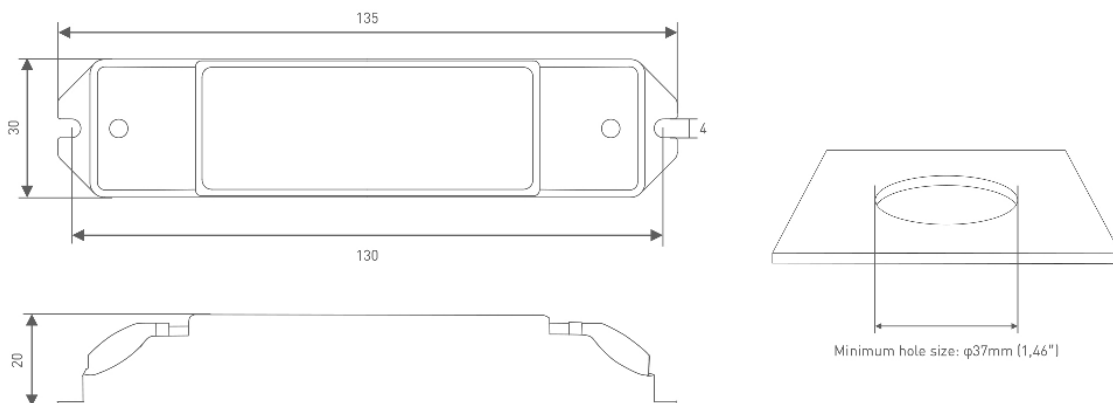
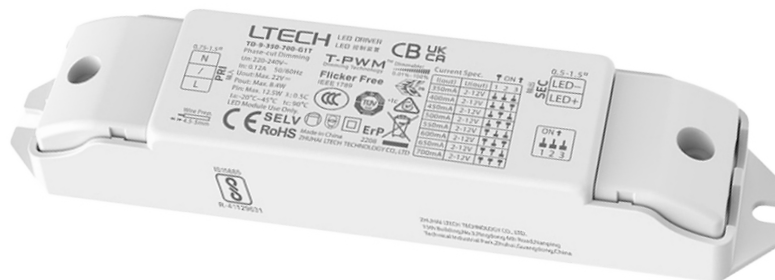


PART NUMBER

CNLDRV1

MODEL DESCRIPTION

LED Driver, Zhuhai, 220-240Vac, 50/60Hz, 350-700mA 9W



TECHNICAL DATA

PART NUMBER	CNLDRV1	SUPPLY VOLTAGE	220-240Vac
DESCRIPTION	LED Driver, Zhuhai, 220-240Vac, 50/60Hz, 350-700mA 9W	CURRENT RATING	9W
OUTPUT TYPE	Constant Current	COLOUR	White
PROTECTION GRADE	IP20	COMPLIANCE	AS 61347.2.13:2018, AS/NZS 61347.1:2016 Inc A1

esco
industries

AUSTRALIA
89 Egerton St (Cnr Fariola & Egerton)
PO Box 6193, Silverwater
NSW 2128 AUSTRALIA

T 1300 879 363 F 1300 879 364
customer.service@escoindustries.com.au
www.escoindustries.com.au

NEW ZEALAND
Unit 11/273 Neilson St, Onehunga
AUCKLAND 1061 NEW ZEALAND

D +64 9 526 1880 **Freecall** 0800 663 367
customer.service@escoindustries.co.nz
www.escoindustries.co.nz