

PART NUMBER

CS1VWH

MODEL DESCRIPTION

Socket Outlet, Switched, 10A, Vertical, White



ANTIMICROBIAL RESILIENCE

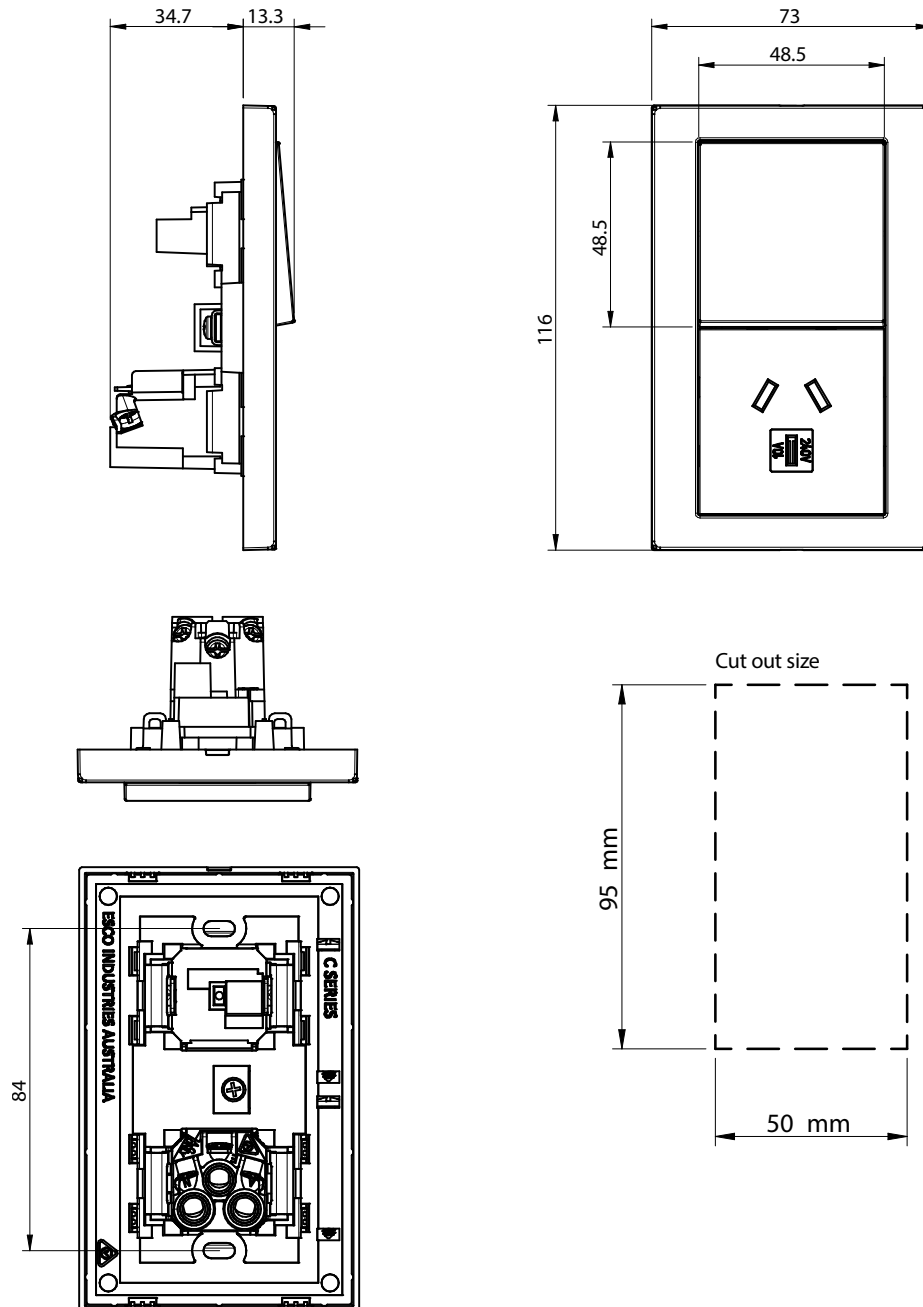
The Comfort Series is manufactured with an antimicrobial additive which has been independently tested by an accredited laboratory to ISO 22196 as being an effective antibacterial solution to inhibit or kill the growth of bacteria and fungi.



TECHNICAL DATA

| | |
|------------------------|--|
| PART NUMBER | CS1VWH |
| DESCRIPTION | Socket Outlet, Switched, 10A, Vertical, White |
| SUPPLY VOLTAGE | 250Va.c. |
| CURRENT RATING | 10A |
| COLOUR | White |
| MOUNTING CENTRE | 84mm |
| PLATE SIZE | Standard |
| SWITCH SIZE | 48.5mm x 48.5mm |
| COMPLIANCE | AS/NZS3133, AS/NZS3112, ISO 22196, AS 1428.1 - Design for access and mobility, Livable Housing Design Guidelines – Switches & Powerpoints (Platinum Level) |

DIMENSIONS



PART NUMBER

CS1LVWH

MODEL DESCRIPTION

Socket Outlet, Switched, with red LED 'ON' indicator,10A, Vertical, White



ANTIMICROBIAL RESILIENCE

The Comfort Series is manufactured with an antimicrobial additive which has been independently tested by an accredited laboratory to ISO 22196 as being an effective antibacterial solution to inhibit or kill the growth of bacteria and fungi.



TECHNICAL DATA

| | |
|------------------------|--|
| PART NUMBER | CS1LVWH |
| DESCRIPTION | Socket Outlet, Switched, with red LED 'ON' indicator,10A, Vertical, White |
| SUPPLY VOLTAGE | 250Va.c. |
| CURRENT RATING | 10A |
| COLOUR | White |
| MOUNTING CENTRE | 84mm |
| PLATE SIZE | Standard |
| SWITCH SIZE | 48.5mm x 48.5mm |
| COMPLIANCE | AS/NZS3133, AS/NZS3112, ISO 22196, AS 1428.1 - Design for access and mobility, Livable Housing Design Guidelines – Switches & Powerpoints (Platinum Level) |

DIMENSIONS

